



Home Energy Storage Battery Series

W5-E5

51.2V 100Ah 5.12kWh

Version: V1.1



The W5-E5 is a comprehensive home wall-mounted solar lithium battery. It features built-in high-quality, high-capacity LiFePO4 batteries, ensuring a long system lifespan for the battery. The independently designed Battery Management System (BMS) has been verified to be compatible with inverters from different brands, supporting hybrid grid-tied and off-grid operation modes.

FEATURES



Longer Life and Safer

- A+ grade lithium iron phosphate



Low Maintenance

- Firmware update service via built-in BLE
- Check battery operation status and configure BMS via BLE



Flexible and Expandable

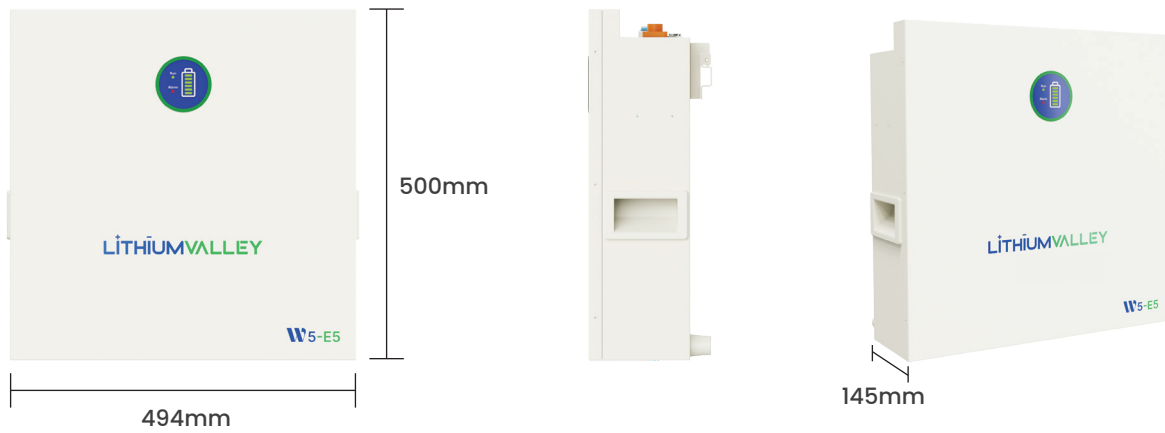
- Up to 20 units in parallel
- The parallel system's max capacity is 102.4kWh



Certification

- UN38.3, MSDS

Dimensions



Product Name	W5-E5
Electrical Characteristics	
Nominal Voltage	51.2V
Rated Capacity	100Ah
Energy	5120Wh
Cell Technology	Lithium Iron Phosphate (LFP)
Cycle Life	6,000 cycles @ 80%DOD, 25°C/0.5C
Operating Voltage	44.8-57.6V
Communication Interfaces	RS232 / CAN / RS485
Scalability	Up to 20 units
Expansion Function	Aerosol fire extinguishing device/Bluetooth
Charge & Discharge	
Standard Charging/Discharging Current	50A
Max continuous charge/discharge current	100A
Conversion Efficiency	99%, 25°C/0.5C
Environmental	
Working Environment	indoors/Under the outdoors eaves
Charging Temperature	0-55°C (32° F~131° F)
Discharging Temperature	-20-60°C (-4° F~140° F)
Storage Temperature	20°C to 45°C (68° F to 113° F) with in three months; 25±3°C (77° F±5.4° F) for more than three months
Storage Humidity	65+20%RH
Cooling	Natural Convection
IP Rating	IP20
Mechanical	
Dimension(L*W*D)	500*494*145 mm
Weight(approximately)	46.5kg
Installation	Wall mounted or floor
Certification	
CE, UN38.3, MSDS	

*The actual product may have slight differences from some promotional videos or pictures. Please refer to the actual product. Unless otherwise specified the data on this page are all from our company's laboratory. The data may have errors due to changes in the objective environment.

*The specifications are subject to change without prior notice.